



Fitting Instructions

BR311

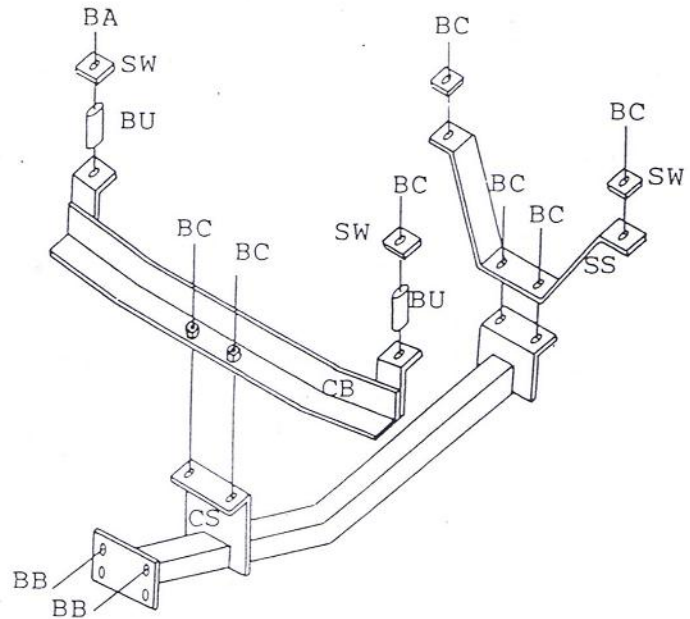
200 SERIES SHERPA / FREIGHT ROVER
(NARROW BODY) 1983 TO 1996
& PILOT 1996 ONWARDS

Bolt Kit

SW	4	12MM LARGE SQUARE PLATES
BB	2	16x50 BOLTS,NUTS & GRIP WASHERS
BA	2	12x160 BOLTS,NUTS & GRIP WASHERS
BC	6	12x30 BOLTS,NUTS & GRIP WASHERS
BU	2	117 x 16MM BUSHES

Contents

CB	1	CROSSBAR
CS	1	CENTRE STRUT
SS	1	SHAPED STRAP



1. OFFER UP THE CROSSBAR CB TO THE REAR CHASSIS RAILS AND MARK OFF THE HOLES. DRILL THROUGH THE MARKED HOLES UP INTO THE VEHICLE. OPEN OUT THE TOP HOLES TO ALLOW BUSHES BU TO BE INSERTED. LOOSELY ATTACH CROSSBAR CB USING BOLTS BA WITH WASHERS SW UNDER THE BOLTS HEADS.
2. ATTACH CENTRE STRUT CS TO CROSSBAR CB USING BOLTS BC AND CAPTIVE NUTS ON CROSSBAR. ATTACH SHAPED STRAP SS TO CENTRE STRUT CS USING BOLTS BC. LIST UP ASSEMBLY TO FLOOR OF VEHICLE AND MARK OFF. DRILL UP 13MM AND ATTACH SHAPED STRAP SS TO THE BOOT FLOOR USING BOLTS BC WITH WASHERS SW UNDER THE BOLTS HEADS.
3. CHECK AND TIGHTEN ALL BOLTS.