



Fitting Instructions

CN850

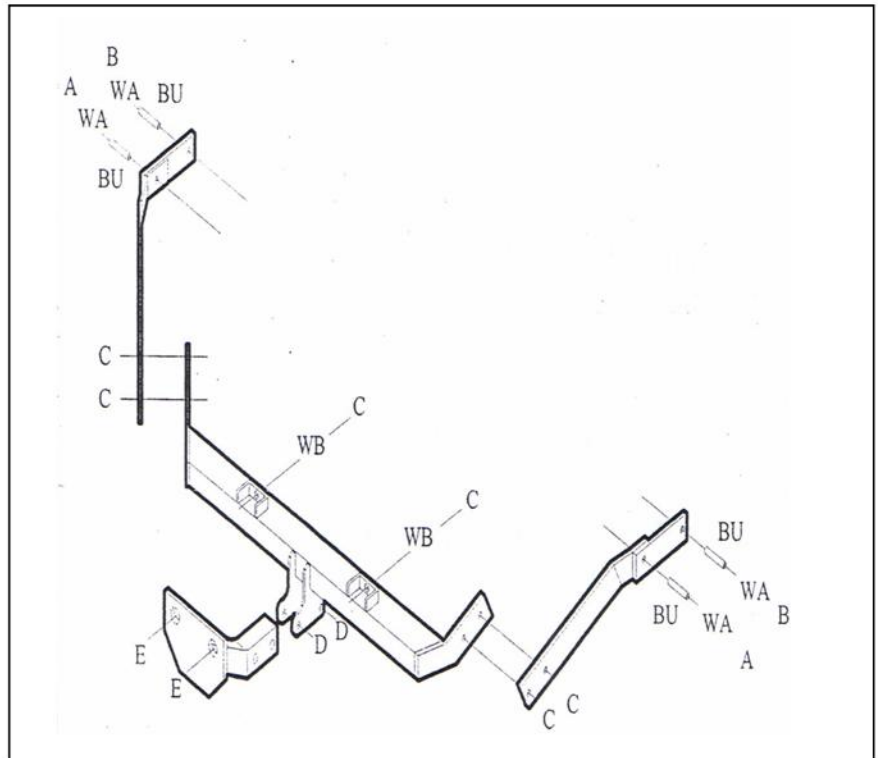
CITROEN PICASSO 1999 ONWARDS

Bolt Kit

WB	2	10MM SMALL ROUND WASHERS
WA	4	10MM LARGE ROUND WASHERS
E	2	16x40 BOLTS, NUTS & GRIP WASHERS
A	2	10x100 BOLTS, NUTS & GRIP WASHERS
B	2	10x90 BOLTS, NUTS & GRIP WASHERS
D	2	12x70 BOLTS, NUTS & GRIP WASHERS
C	6	10x30 BOLTS, GRIP WASHERS & 4 NUTS
BU	4	54 x 14MM BUSHES

Contents

CB	1	CROSSBAR
CS	1	CENTRE STRUT
RA	1	RIGHT ANGLE
LA	1	LEFT ANGLE



1. Remove The Spare Wheel And Lower The Rear Exhaust Hanger.
2. Insert Bushes BU Into The Chassis Rails Through The Holes Provided In The Outside Faces Of The Chassis And Loosely Attach Angles LA And RA To The Chassis Rails Using Bolts A And B With Washers WA.
3. Loosely Attach Crossbar CB To The Holes Provided In The Rear Panel Using Bolts C And Washers WB.
4. Attach Crossbar CB To Angles LA And RA Using Bolts C.
5. Attach Centre Strut CS To Crossbar CB Using Bolts D.
6. CHECK AND TIGHTEN ALL BOLTS . Remount Spare Wheel And Exhaust.