



Fitting Instructions

PT870

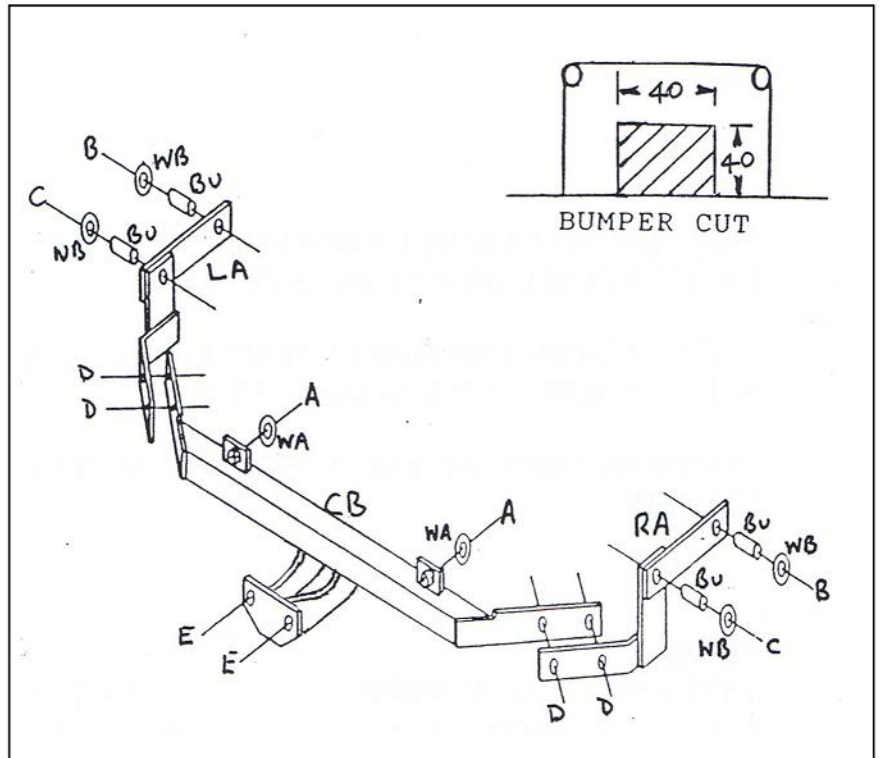
PEUGEOT PARTNER COMBI 2001 ON
CITROEN BERLINGO MULTISPACE 1996 ON

Bolt Kit

- A 2 10 x 25 BOLTS & GRIP WASHERS
- WA 2 10MM SMALL ROUND WASHERS
- WB 4 10MM LARGE ROUND WASHERS
- E 2 16 x 50 BOLTS, NUTS & GRIP WASHERS
- B 2 10 x 80 BOLTS, NUTS & GRIP WASHERS
- C 2 10 x 90 BOLTS, NUTS & GRIP WASHERS
- D 4 10 x 30 BOLTS, NUTS & GRIP WASHERS
- BU 4 54 x 14MM BUSHES

Contents

- CB 1 CROSSBAR
- RA 1 RIGHT ANGLE
- LA 1 LEFT ANGLE



1. REMOVE SPARE WHEEL AND LOWER THE EXHAUST FROM RUBBER MOUNTINGS AND REMOVE HEAT SHIELD WHERE FITTED. DETACH TWO BUMPER CLIPS ON THE BOTTOM EDGE TO ALLOW FLEXIBILITY AND CUT OUT A SECTION IN THE BUMPER AS SHOWN IN DIAGRAM.
2. LOCATE TWO EXISTING HOLES IN THE REAR PANEL AND DRILL OUT 11mm. LOOSELY ATTACH CROSSBAR CB TO THESE HOLES USING BOLTS A WITH WASHERS WA.
3. LOCATE TWO HOLES ON THE INSIDE FACE OF EACH CHASSIS RAIL. OPEN OUT THESE HOLES TO ALLOW BUSHES BU TO BE INSERTED. ATTACH ANGLES LA AND RA TO THE CHASSIS USING BOLTS B AND C WITH WASHERS WB ON THE OUTSIDE OF THE CHASSIS.
4. ATTACH CROSSBAR CB TO THE ANGLES LA AND RA USING BOLTS D.
5. CHECK AND TIGHTEN ALL BOLTS AND REPLACE SPARE WHEEL.